



6 XLMI 001

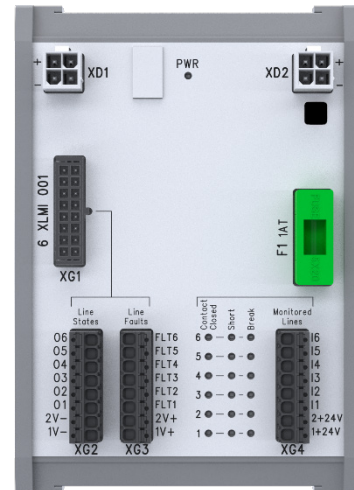
LINE MONITORING FOR INPUTS

TERMINAL BLOCK FOR MONITORING OF LINE BREAK AND SHORT CIRCUIT

The terminal block 6 XLMI 001 is used for line monitoring of 6 potential-free contacts for short circuit and line break. In case of a line fault an error is output and indicated for each line.

This function is primarily required in warning and alarm systems to monitor the alarm triggering.

The potential-free contacts to be monitored must be wired with resistors.



- Monitoring of 6 lines to potential-free contacts
- Output of 6 single faults
- Direct connection via pre-assembled cables to INTRON-X plug-in devices of the XCO, XAL and XIO series as well as single wiring possible
- DIN rail mounting

TERMINAL BLOCK 6 XLMI 001

Type number 344-020-104

MECHANICAL DATA

Mounting DIN rail TS 35

Width x height x depth 90 mm x 128 mm 46 mm (3.54" x 5.04" x 1.81")

Weight Approx. 165 g (0.36 lbs)

POWER CONSUMPTION (XD1 AND XD2)

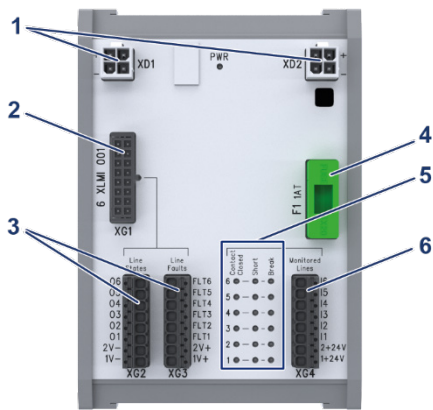
Typical 2.7 W

Maximum 4 W

DC POWER SUPPLY (XD1 AND XD2)

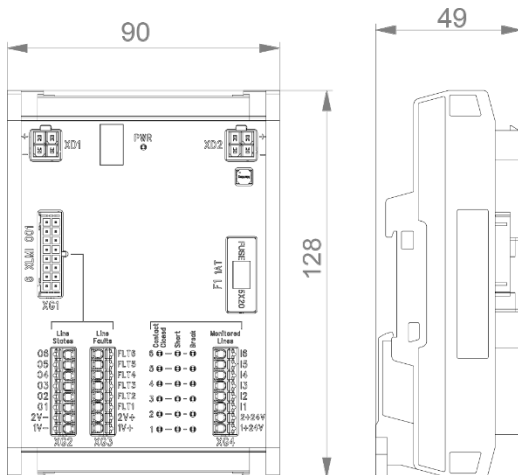
Power supply 42 V DC to 72 V DC

FRONT



- 1 DC power supply inputs
- 2 Interface to XCO, XAL or XIO
- 3 Terminals with the contact and error states for single core wiring
- 4 Fuse
- 5 LEDs for displaying contact and error states
- 6 Terminals to connect the lines to be monitored incl. monitoring voltage

DIMENSIONS



LINE STATES/FAULTS (XG2 AND XG3)

Quantity	6 x line states and 6 x line faults with the same reference and power supply potential
Voltage and current value of each output	Max. 72 V DC, 25 mA
Control outputs	2 x 8-pole push-in terminals, 1.5 mm ²

MONITORED LINES (XG4)

Quantity	6
Maximum line resistance of the line to be monitored	2 kOhm
Monitoring voltage	24 V DC

ENVIRONMENTAL REQUIREMENTS AND STANDARDS

Ambient temperature during operation	-15 °C to +55 °C (+5 °F to +131 °F)
Storage temperature	-25 °C to +70 °C (-13 °F to +158 °F)
Relative humidity (non-condensing)	Max. 95 %
Degree of protection	IP20
Vibration resistance	2 Hz to 13.2 Hz, +/-1.5 mm, 13.2 Hz to 200 Hz, 1 g
Operating altitude	Max. 2,000 m (6,562 ft) above sea level
Pollution degree	2 (according to EN 62368-1)
Electrical safety	EN 62368-1
EMC	EN 61000-6-2, EN 61000-6-4, EN 55032 Class B, EN 55035

ACCESSORIES



4 XCBL 531 3.5 m

Power supply cable for terminal blocks, 4 poles, 3.5 m (11.48 ft), 0.75 mm², 1 x connector covered with heat-shrink tube, 1 x flying leads, halogen-free, flame-retardant

Type number 244-905-351

Further cable lengths upon request.



4 XCBL 561 0.15 m

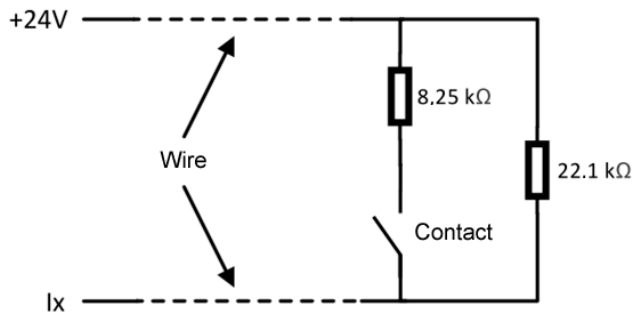
Power supply cable for cascading the terminal blocks, 4 poles, 0.15 m (0.49 ft), 0.75 mm², halogen-free, flame-retardant

Type number 244-904-150

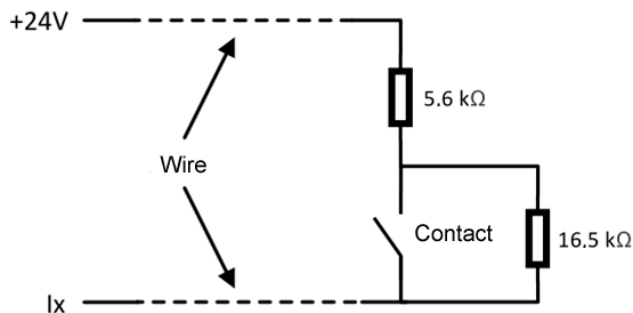
Further cable lengths upon request.

CONNECTION DIAGRAM WITH POSSIBLE WIRING

Wiring A



Wiring B



© INDUSTRIONIC