

2 UKS 01 KEY SWITCH BOARD

The 2 UKS 01 universal key switch is mainly used to turn system functions on or off. The function to be switched can be configured inside the INDUSTRONIC system.

The 2 UKS 01 is often used as inhibit switch. The key itself can be removed from both key positions to prevent unauthorized usage.



- Activation of pre-defined system functions using a key
- Two independent change-over contacts
- Two LEDs indicating key position
- Three LEDs to indicate additional system information
- Removable key

MECHANICAL DATA

Design	Plug-in board
Dimension of the front plate	3 RU, 8 HP
Weight	Approx. 160 g (approx. 0.35 lbs)
Connections	DIN 41612 connector, 48-p, type F

ELECTRICAL DATA

Operating voltage range	42 V DC to 72 V DC
Current consumption	20 mA
Switching capacity	3 A
Indication inputs	42 V DC to 72 V DC

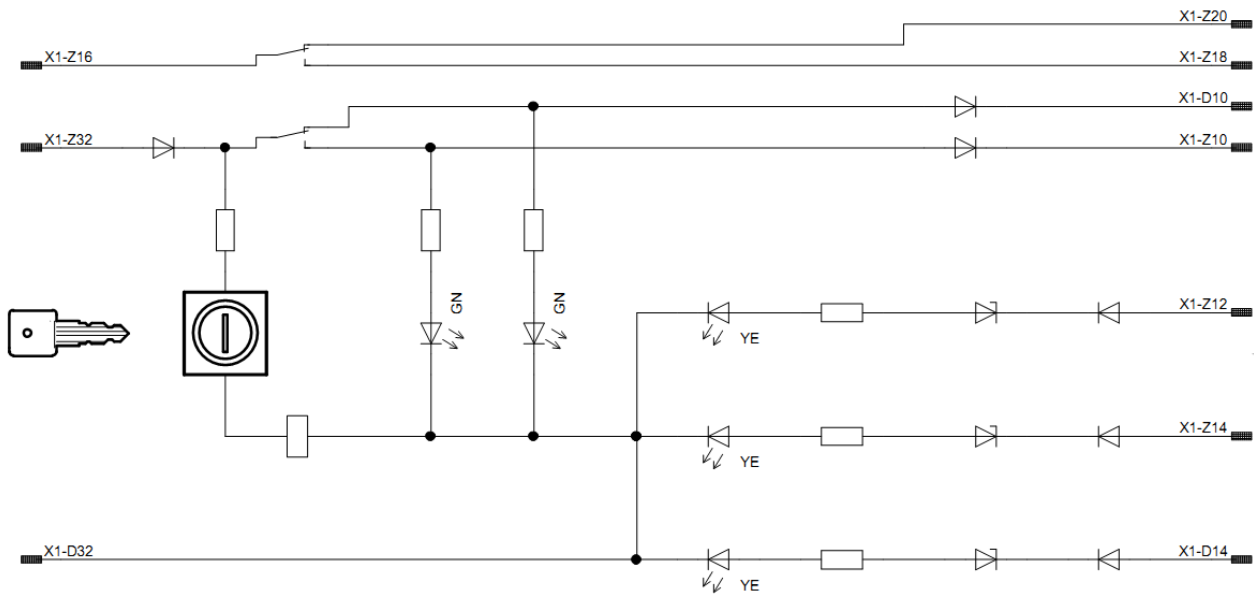
ENVIRONMENTAL REQUIREMENTS

Ambient temperature during operation	-5 °C to +50 °C (+23 °F to +122 °F)
Relative humidity (non-condensing)	Max. 95 %

ORDER DATA

Type number	343-041-200
--------------------	-------------

BLOCK DIAGRAM



© INDUSTRIONIC