



BExL25D SPEAKER

EXPLOSION-PROOF HORN SPEAKER

The speaker is ideal for use in hazardous and noisy areas.

The bipolar connection cable is inserted via an Ex d cable gland. The power is adjusted on the primary side of the 100 V transformer via different tapings.



Color: red

- Explosion-proof for Zone 1, 2, 21 and 22
- Robust industrial technology
- Sturdy design
- Stainless steel bracket
- Degree of protection IP66/IP67
- ATEX, IECEx, PESO and INMETRO certification
- Internal and external ground terminal

MECHANICAL DATA

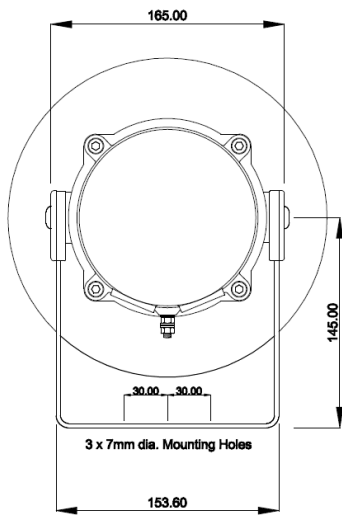
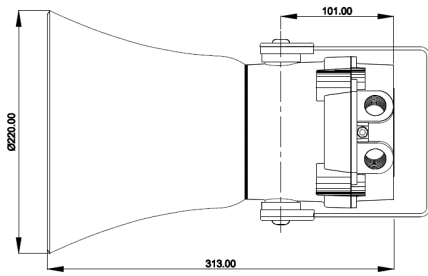
Housing	LM6 aluminum, chromate & powder coated
Horn	ABS
Diameter x depth	220 mm x 313 mm (8.66" x 12.32")
Cable entries	2 x M20 x 1.5
Cable gland	1x M20 stopping plug
Connection	Screw terminals
Weight	Approx. 4 kg (approx. 8.82 lbs)
Color	Red (RAL 3000) Optional: gray (RAL 7038)
Mounting	Stainless steel bracket

ELECTRICAL DATA

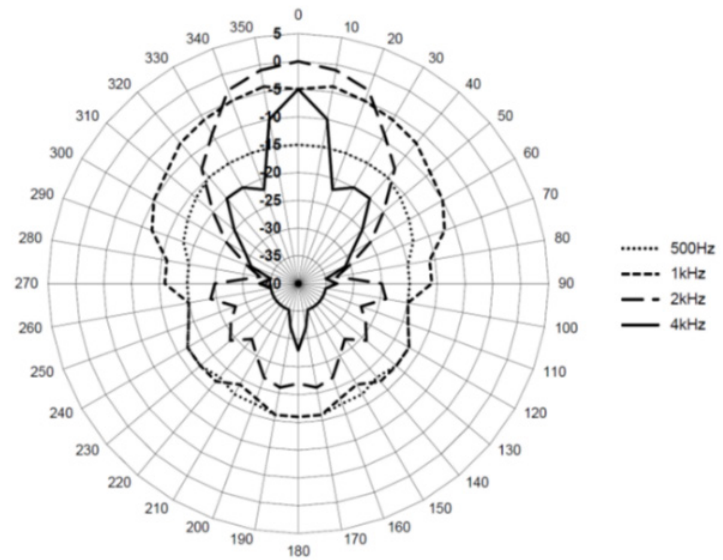
Rated power	25 W
Transformer tapings	100 V: 25 W / 12.5 W / 6 W / 2 W
Sound pressure level 1 W, 1 m (3.28 ft)	105 dB (+/-3 dB)
Sound pressure level 25 W, 1 m (3.28 ft)	119 dB (+/-3 dB)
Effective frequency range	300 Hz to 8,000 Hz
Dispersion angle (-6 dB)	1 kHz: 130° / 4 kHz: 32°



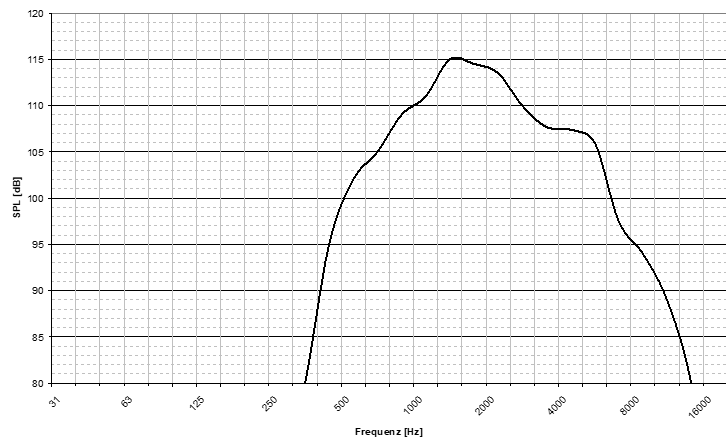
DIMENSIONS



POLAR DIAGRAMM



FREQUENCY DIAGRAMM



MEASUREMENT CONDITIONS

Sound pressure level (SPL)	1 W / 1 m (3.28 ft)
Pink noise	1/3 octave filter
Zero level in frequency response	80 dB
Range	40 dB

SOUND PRESSURE LEVEL RELATED TO DISTANCE

P_{max} 25 W	Level (dB)	(-6 dB)	(-20 dB)	(-28 dB)	(-36 dB)	
	at					
	1 m (3.28 ft)	2 m (6.56 ft)	10 m (32.81 ft)	25 m (82.02 ft)	65 m (213.25 ft)	
		119	113	99	91	83

ENVIRONMENTAL REQUIREMENTS AND STANDARDS

Operating temperature	-50 °C to +55 °C (+70 °C) (-58 °F to +131 °F (+158 °F))
Relative humidity (non-condensing)	Max. 95 %
Degree of protection	IP66/IP67
Certifications	ATEX, IECEX, PESO, INMETRO
Markings	II 2G Ex db IIB T4 Ta -50 °C to +70 °C (-58 °F to +158 °F) II 2G Ex db IIC T4 Ta -50 °C to +55 °C (-58 °F to +131 °F) II 2D Ex tb IIIC T100°C Db Ta -50 °C to +55 °C (-58 °F to +131 °F) II 2D Ex tb IIIC T115°C Db Ta -50 °C to +70 °C (-58 °F to +158 °F)

ORDER DATA

Color	Type Number
Red	001-225-042
Gray	001-225-061

© INDUSTRIONIC