



DK 15 EN EN54

HORN SPEAKER

WEATHER-PROOF SPEAKER WITH SAFETY REQUIREMENTS OF EN 54-24

The speaker has a sturdy and robust design and with its high safety requirement is it ideal for use in voice alarm systems.



- Robust industrial technology
- Sturdy and robust design
- Degree of protection IP66
- Certified according to EN 54-24

MECHANICAL DATA

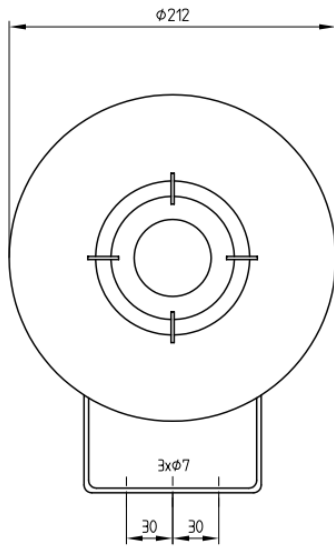
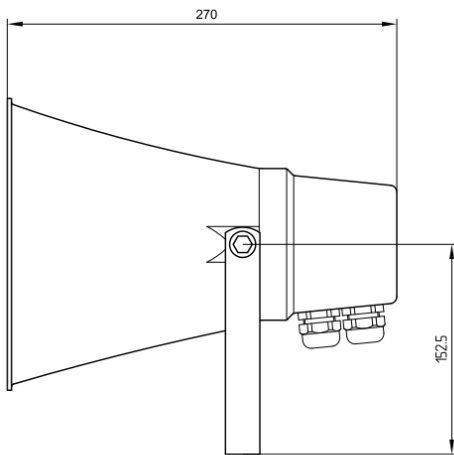
Housing	ABS plastic
Diameter x length	212 mm x 270 mm (8.35" x 10.63")
Cable entry	2 x 20 mm (0.79")
Cable gland	2 x M20
Connection	Ceramic screw terminals (Cable cross-section up to 2.5 mm ²)
Weight	1.9 kg (4.19 lbs)
Color	Gray (RAL 7035)
Mounting	Stainless steel bracket

ELECTRICAL DATA

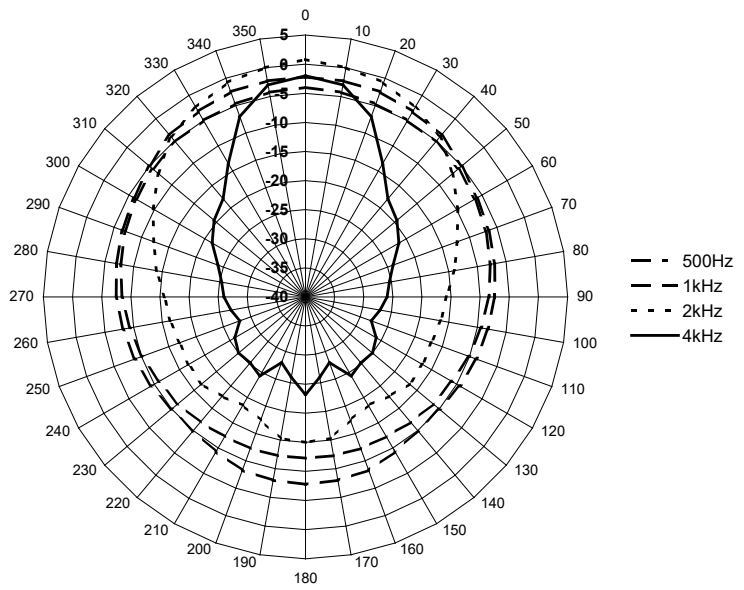
Rated power	15 W
Transformer tappings	100 V: 15 W / 7,5 W / 3.75 W / 1.87 W
Sound pressure level 1 W, 1 m (3.28ft)	108 dB (+/-3 dB)
Sound pressure level 15 W, 1 m (3.28 ft)	120 dB (+/-3 dB)
Effective frequency range	460 Hz to 9,000 Hz
Dispersion angle	1 kHz: 100°; 4 kHz: 40°



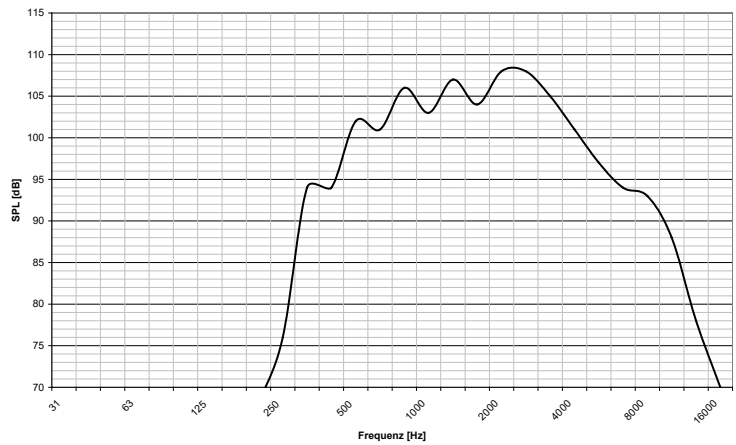
DIMENSIONS



POLAR DIAGRAMM



FREQUENCY DIAGRAMM



MEASUREMENT CONDITIONS

Sound pressure level (SPL)	1 W / 1 m (3.28 ft)
Pink noise	1/3 octave filter
Zero level in frequency response	70 dB
Range	45 dB

SOUND PRESSURE LEVEL RELATED TO DISTANCE

P_{max} 15 W	Level (dB)	(-6 dB)	(-20 dB)	(-28 dB)	(-36 dB)	
	at					
	1 m (3.28 ft)	2 m (6.56 ft)	10 m (32.81 ft)	25 m (82.02 ft)	65 m (213.25 ft)	
		120	114	100	92	84

ENVIRONMENTAL REQUIREMENTS AND STANDARDS

Ambient temperature during operation	-30 °C to +60 °C (-22 °F to 140 °F)
Relative humidity (non-condensing)	Max. 95 %
Degree of protection	IP66
Approval	EN 54-24: 2008

ORDER DATA

Type number	001-215-034
-------------	-------------

© INDUSTRONIC