



KL 15/6 UE SPEAKER

WEATHER-PROOF HORN SPEAKER WITH A DEGREE OF PROTECTION OF IP67

The speaker is especially designed for use in dusty and wet industrial areas and has a frequency range from 350 Hz up to 11 kHz. The power adjustment is carried out at the secondary side of the transformer.



- Sturdy and robust design
- Degree of protection IP67
- Wide frequency range
- Sound pressure level of up to 117 dB
- Stainless steel bracket

MECHANICAL DATA

Housing	Special plastic ASA
Width x height x depth	186 mm x 144 mm x 207 mm (7.32" x 5.67" x 8.15")
Threads	2 x M20 x 1.5
Cable gland	1 x M 20 x 1.5
Connection	Screw terminals (Cable cross-section up to 2.5 mm ²)
Weight	Approx. 1.8 kg (3.97 lbs)
Color	Gray (RAL 7035)
Mounting	Stainless steel bracket

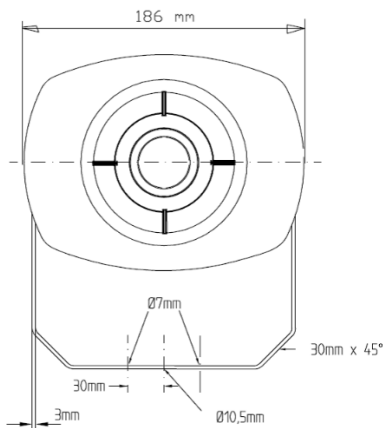
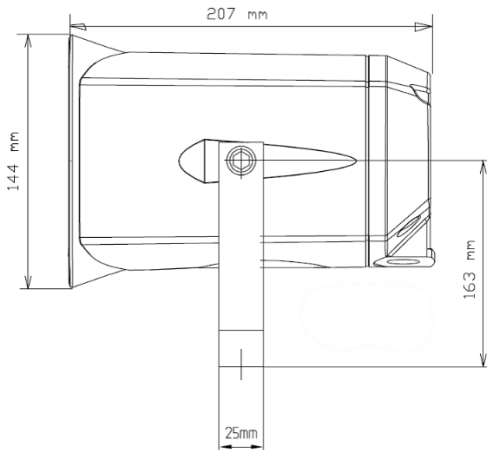
ELECTRICAL DATA

Rated power	15 W
Transformer tapings	100 V : 15 W / 7.5 W / 4 W / 2 W
Sound pressure level 1 W, 1 m (3.28 ft)	106 dB (+/-3 dB)
Sound pressure level 15 W, 1 m (3.28 ft)	117 dB (+/-3 dB)
Effective frequency range	350 Hz to 11,000 Hz
Dispersion angle -6 dB	1 kHz: 140°, 4 kHz: 33°

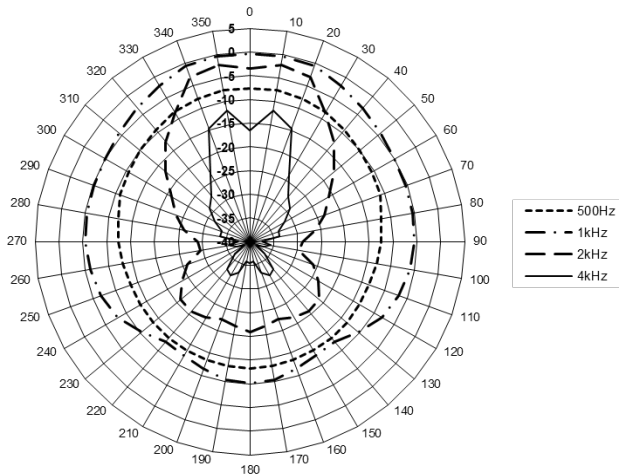
ENVIRONMENTAL REQUIREMENTS AND STANDARDS

Ambient temperature during operation	-50 °C to +90 °C (-58 °F to +194 °F)
Relative humidity (non-condensing)	Max. 95 %
Degree of protection	IP67

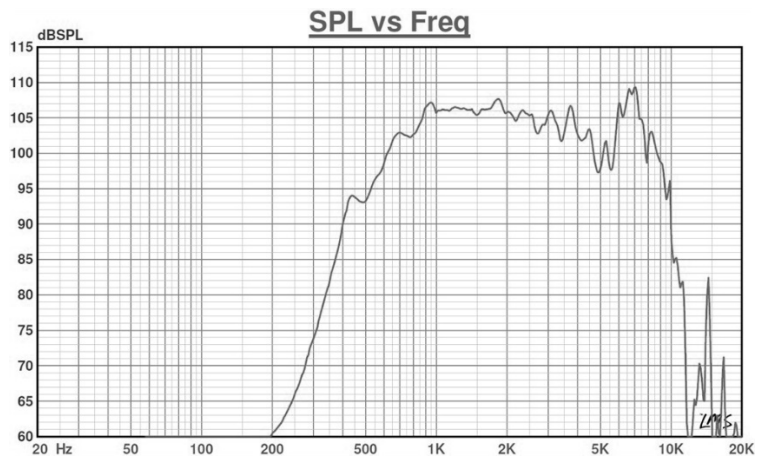
DIMENSIONS



POLAR DIAGRAMM



FREQUENCY DIAGRAMM



MEASUREMENT CONDITIONS

Sound pressure level (SPL)	1 W / 1 m (3.28 ft)
Pink noise	1/3 octave filter
Zero level in frequency response	60 dB
Range	55 dB

SOUND PRESSURE LEVEL RELATED TO DISTANCE

P_{max} 15 W	Level (dB) at	(-6 dB)	(-20 dB)	(-28 dB)	(-36 dB)	
	1 m (3.28 ft)	2 m (6.56 ft)	10 m (32.81 ft)	25 m (82.02 ft)	65 m (213.25 ft)	
		117	111	97	89	81

ORDER DATA

Type number	001-215-021
-------------	-------------

© INDUSTRIONIC