

# LD 6/2 UES/165

## Ceiling-mounted Loudspeaker



### Main features

- Complete covered housing
- Good speech intelligibility
- Cable gland M20
- Easy mounting

The ceiling-mounted loudspeakers LD 6/2 UES/165 are part of the INDUSTRONIC communication and public address system. They are especially designed for the use in rooms like offices, corridors and workshops. The complete covered housing protects the loudspeaker against mud and dust.

The bipolar connection cable is inserted via a cable gland. The power adjustment is carried out via different tapings on the secondary side of the transformer.

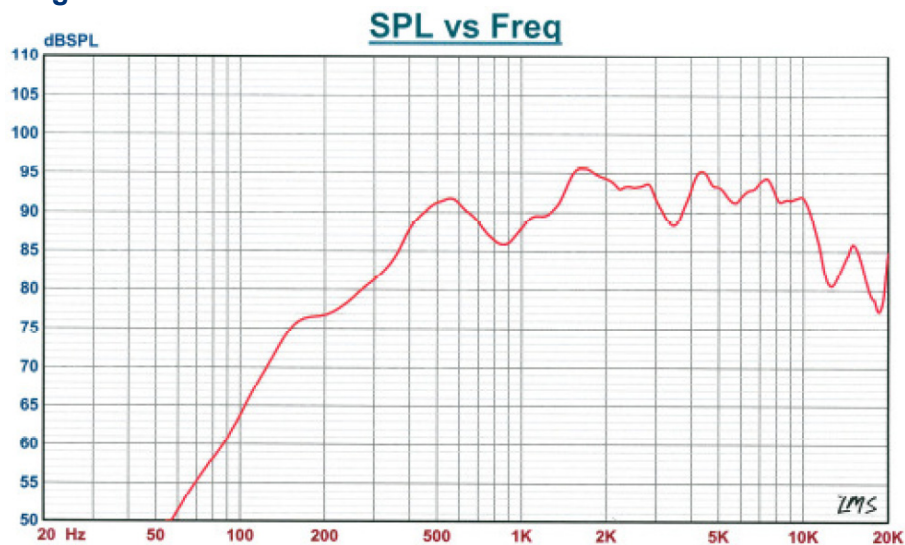
### Mechanical data

• Housing	Special plastic
• Cover	Aluminum sheet
• Diameter	165 mm (6 1/2")
• Installation cut out	Ø 141 mm to 147 mm (5 1/2" to x 5 3/4")
• Installation depth	115 mm (4 1/2")
• Cable entry	M20
• Weight	approx. 0.6 kg (approx. 1.3 lb)
• Color	White

### Electrical data

• Nominal load	6 W
• Transformer	100 V; 6 W / 3 W / 1.5 W / 0.5 W
• Sound pressure level 1 W, 1 m	90 dB
• Sound pressure level 6 W, 1 m	97 dB
• Frequency range	180 Hz to 15000 Hz
• Dispersion -6 dB	1 kHz / 4 kHz: 170° / 60°
• Operating temperature	-20 °C to +90 °C (-4 °F to 194 °F)

## Frequency diagram



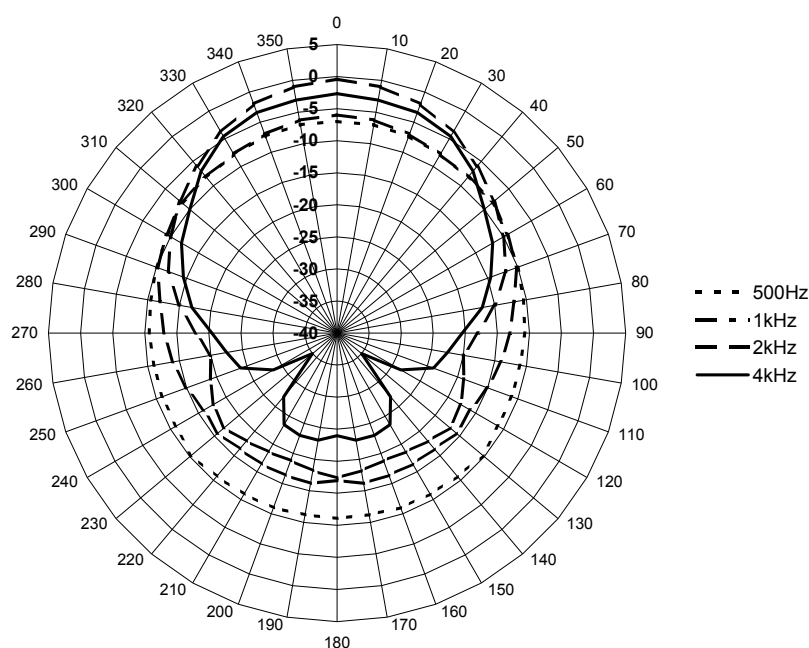
## Measurement conditions

Sound pressure level (SPL): 1 W / 1 m                      Pink noise: 1/3 octave filter  
 Zero level: 50 dB    Range: 60 dB

## Output level related to distance

P <sub>max</sub> :	Level (dB)	(-6dB)	(-12dB)	(-16dB)	(-18dB)	(-22dB)	(-24dB)	(-26dB)	(-28dB)
	at								
6 W	1 m	2 m	4 m	6 m	8 m	12 m	16 m	20 m	25 m
		97	91	85	81	79	75	73	71

## Polar diagram



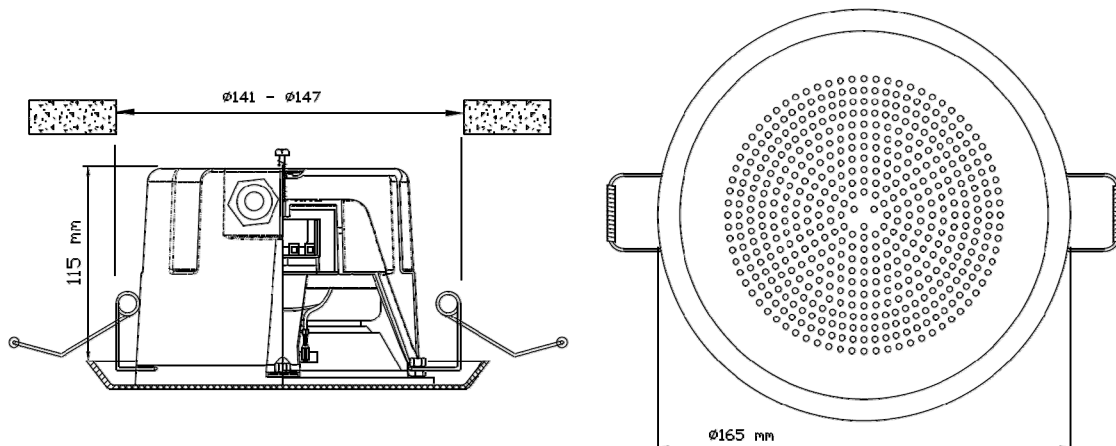


Abbildung 1: Dimensional drawing LD 6/2 UES/165

**INDUSTRONIC®**

Industrie-Electronic GmbH & Co. KG  
 Carl-Jacob-Kolb-Weg 1  
 97877 Wertheim / Germany

Tel.: +49 9342 871-0  
 Fax: +49 9342 871-565

[info@industronic.de](mailto:info@industronic.de)  
[www.industronic.com](http://www.industronic.com)