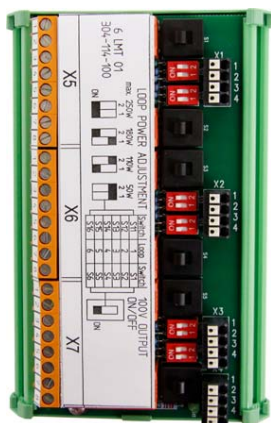


6 LMT 01

Terminal Block for Monitored Speaker Loops



Features and Functions

- For 6 speaker circuits wired as loops
- Terminating resistors for monitoring of speaker circuits
- Adjustment of terminating resistors via DIP switches
- Integrated overvoltage protection
- Separation capability on the input side

The terminal block of the 6 LMT 01 series is used for the connection and monitoring of speaker circuits wired as loops. The inputs are connected with the speaker circuits of the zone control unit or more precisely with the 6 LME 01 line monitoring board. Both ends of up to 6 speaker circuits wired as loops are connected to the outputs (field wiring). In monitoring mode, a speaker circuit is completely monitored for open circuit, short circuit, ground leakage and impedance changes. To detect defective speakers easier the terminating resistors can be adjusted to the installed speaker output using DIP switches. Slide switches allow separating the outputs from the inputs.

Mechanical Data

- | | |
|--------------------------------------|--|
| • Design | Module for DIN rail mounting |
| • Height x width x depth | 135 mm x 78 mm x 50 mm
(5.3" x 3.1" x 2") |
| • Weight | Approx. 260 g (approx. 0.6 lbs) |
| • Connection zone control unit / LME | Push-in terminals 1.5 mm ² |
| • Field connection | Screw terminals 6 mm ² |

Electrical Data

- | | |
|----------------------------|------------------|
| • Operating voltage range | 42 VDC to 72 VDC |
| • Max. current consumption | 150 mA |
| • Speaker circuits | 100 V / 3 A |

Environmental Requirements and Standards

- Ambient temperature during operation -5 °C to +50 °C (+23 °F to +122 °F)
- Relative humidity (non-condensing) Max. 95 %

Order Data

Type Number

304-114-100

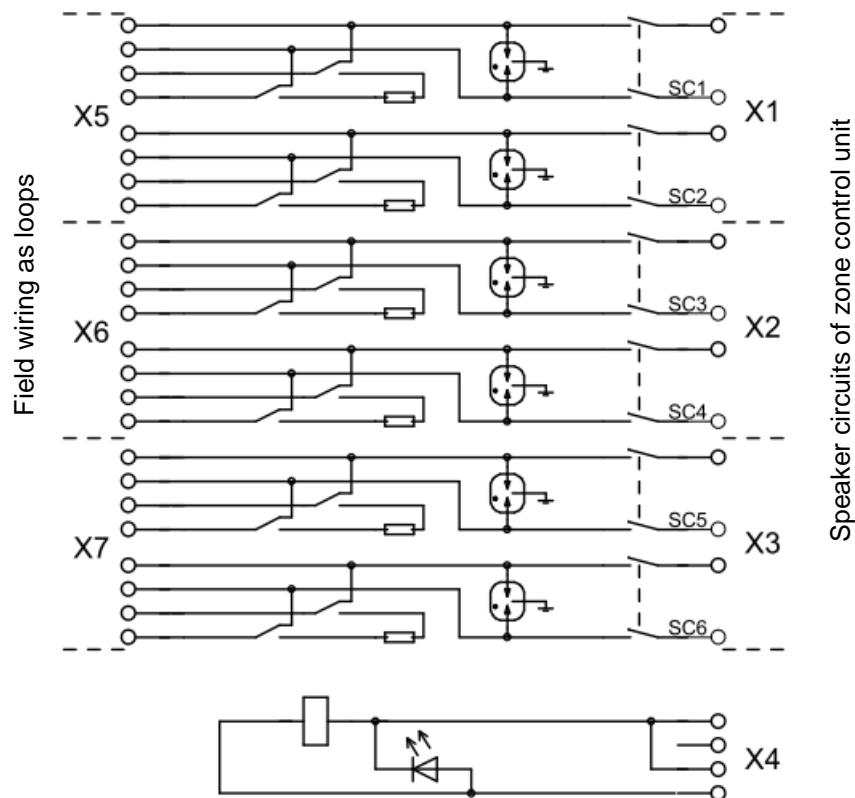


Fig. 1: Block diagram 6 LMT 01

INDUSTRONIC®

Industrie-Electronic GmbH & Co. KG
 Carl-Jacob-Kolb-Weg 1
 97877 Wertheim / Germany

Tel: +49 9342 871-0
 Fax: +49 9342 871-565

info@industronic.de
 www.industronic.com

Subject to technical modifications