

10 GW 05 / 65

DC/DC Converter



Main features

- Input voltage from 36 V to 72 V
- Maximum output current 12 A
- Efficiency up to 75 %

The DC/DC converter 10 GW 0 / 65 is a part of the INDUSTRONIC communication and public address system with digital interfaces. It converts a source of direct current (DC) from one voltage level to another.

Options

- 1 PRM 01 (Art.-Nr. 309-101-500)
Power redundant motherboard to operate more than one 10 GW x5 as a redundant 5 V power supply (for each DC/DC converter one 1 PRM 01 is required)

Mechanical data

- | | |
|---------------------------------|--|
| • Construction | Plug-in board |
| • Dimensions of the front plate | 10 GW 05: 3 RU, 8 DU
10 GW 65: 6 RU, 8 DU |
| • Weight | 0.85 kg (2 lb) |
| • Connection | H 15 plug |

Electrical data

- | | |
|--------------------|------------------|
| • Input voltage | 36 VDC to 72 VDC |
| • Output voltage | 5 VDC |
| • Output current | 12 A |
| • Efficiency | 75 % |
| • Adjustment range | 4 VDC to 6 VDC |

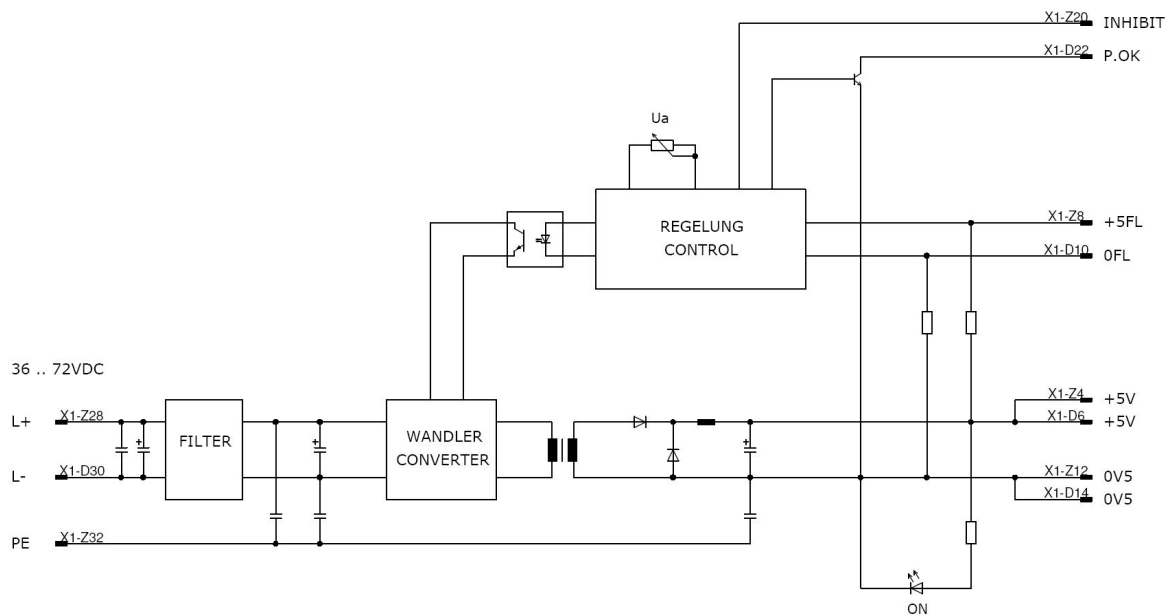


Figure 1: Block diagram 10 GW 05 / 65

Environmental requirement

- | | |
|--|--------------------------------------|
| • Ambient temperature during operation | -5 °C to +50 °C
(23 °F to 122 °F) |
| • Relative Humidity (non-condensing) | Max. 95 % |

INDUSTRONIC®

Industrie-Electronic GmbH & Co. KG
 Carl-Jacob-Kolb-Weg 1
 97877 Wertheim / Germany

Tel.: +49 9342 871-0
 Fax: +49 9342 871-565

info@industronic.de
 www.industronic.com