



# NRC 001 IP COMPACT INTERCOM STATION

## FOR INDOOR USE

They are designed for example for warehouses, workshops, or crane cabins, and can be easily integrated into existing network environments. The compact housing makes the intercom station ideal for wall mounting.

The integrated electret microphone is suitable for applications subject to strong mechanical stress. Together with the speaker module or a remote speaker excellent speech intelligibility in high ambient noise environments is ensured.

Its connectivity and health status is constantly monitored, logged and flexibly notified system-internally and to third-party systems.



- 2 module openings for keypads and/or speaker
- 3 potential-free inputs (e.g. for use with foot switch), 3 potential-free outputs (e.g. for use with flashing warning beacons), 1 audio output (e.g. to control an external amplifier)
- Network connection via Ethernet
- PoE or external power supply
- Self-diagnostics by monitoring of internal electronics, microphone and network connectivity
- Integrated web interface for setting and service functions

### COMPONENTS

Two-part housing made of flame-retardant, glass-fiber reinforced polyester

Robust gooseneck microphone

Speaker module or external speaker

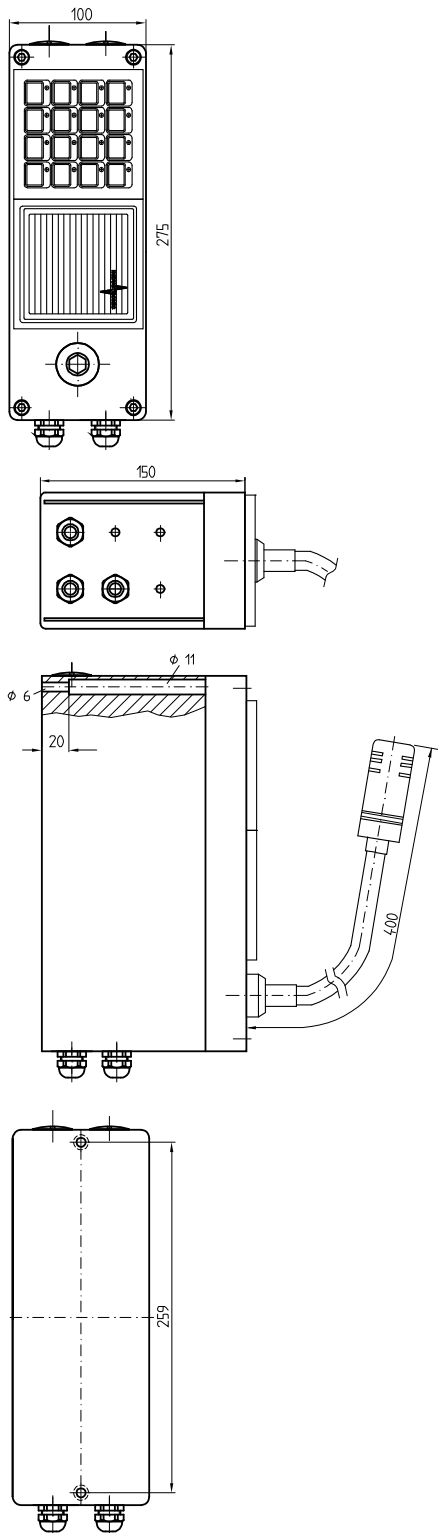
Keypad 16 NIFK with 16 membrane keys or 10 NIFK with 10 momentary switches

Electronics unit

### MECHANICAL DATA

<b>Width x height x depth</b>	275 mm x 100 mm x 150 mm (10.83" x 3.94" x 5.91")
<b>Weight</b>	Approx. 2.8 kg (approx. 6.17 lbs)
<b>Cable entries</b>	1 x M16 (up to 3 x M16 possible)
<b>Color</b>	Red (RAL 3000)

## DIMENSIONS



## ELECTRICAL DATA

<b>Power supply</b>	PoE according to IEEE 802.3af, Class 3, 15 W or external power supply (42 V DC to 57 V DC, 0.3 A at 48 V DC)
<b>Quiescent, max. current consumption</b>	60 mA, 270 mA
<b>Frequency range</b>	200 Hz to 16,000 Hz (+/-3 dB)
<b>Amplifier power</b>	0.75 W
<b>Speaker</b>	5 W / 8 Ohms
<b>AF output voltage for additional amplifier</b>	0.4 V <sub>ss</sub> to 4.5 V <sub>ss</sub> (adjustable)
<b>Output impedance</b>	50 Ohms
<b>Potential-free inputs</b>	3
<b>Input voltage level of each input</b>	Off: 0 V DC to 5 V DC On: 10 V DC to 72 V DC (current consumption max. 4 mA)
<b>Potential-free outputs</b>	3
<b>Max. voltage and current value for each output</b>	72 V DC, 100 mA
<b>Auxiliary voltage output</b>	48 V DC, 50 mA (operating voltage potential)

## INTERFACES

1 x RJ45 port 10/100 MBit/s (LAN + PoE)
1 x Mini USB service port
Plug-in terminal with 1.5 mm <sup>2</sup> nominal cross-section

## NETWORK REQUIREMENTS

Power over Ethernet (PoE) recommended
IPv4 network
Support of UDP, SCTP, RTP and RTCP protocols
Quality of Service (QoS) Ideal latency < 20 ms (max. 50 ms) Jitter max. 10 ms
10Base-T/100Base-TX Ethernet (IEEE 802.3), 100 MBit/s recommended
200 kBit/s basic bandwidth and 200 kBit/s per active audio channel

## ENVIRONMENTAL REQUIREMENTS AND STANDARDS

<b>Ambient temperature during operation</b>	-10 °C to +50 °C (+14 °C to +122 °F)
<b>Relative humidity (non-condensing)</b>	Max. 95 %
<b>Degree of protection</b>	IP40
<b>EMC</b>	IEC/EN 61000-6-2 IEC/EN 61000-6-4

## ORDER DATA

<b>Type</b>	<b>Type Number</b>
10 NRC 001 with 10 momentary switches, microphone and speaker module	302-054-000
16 NRC 001* with 16 keys, microphone and speaker module	302-054-100
20 NRC 001 with 20 momentary switches, microphone and external loudspeaker	302-054-200
26 NRC 001* with 16 keys, 10 momentary switches, microphone and external loudspeaker	302-054-300
32 NRC 001* with 32 keys, microphone and external loudspeaker	302-054-400

\*All types with membrane keypads can be ordered with a key cover for 4, 8, 12 or 16 keys (e.g.: Type 16 NRC 001/C4).

## OPTIONS

Key cover to protect the membrane keys against accidental actuation
Remote speaker with 8 m cable

© INDUSTRONIC