



PY X-M-10 24V DC

# FLASHING WARNING BEACON

## WEATHER-PROOF WARNING BEACON ACCORDING TO EN54-23

The flashing warning beacon is used to visually indicate alarm signals as well as incoming calls at intercom stations. It is directly controlled by the INDUSTRONIC system.

The robust beacon can be installed both indoors and outdoors.



- Weather-proof warning beacon for use in industrial environments
- Impact-proof housing
- 4 different flash rates
- Installation via external lugs or internal holes
- Degree of protection IP66
- Xenon technology

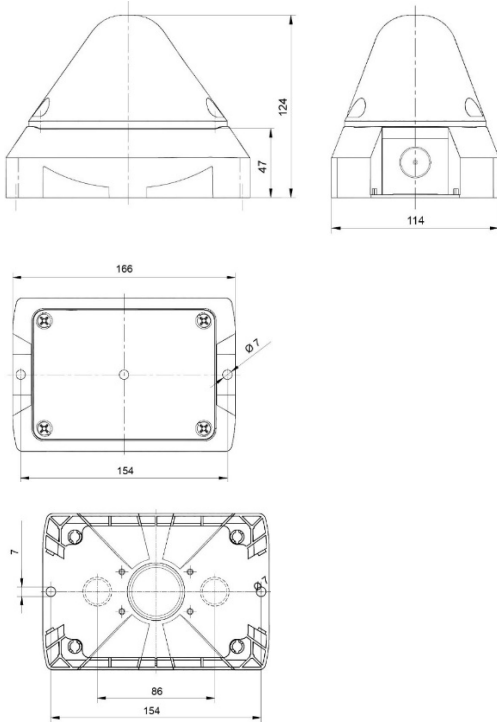
### MECHANICAL DATA

Width x height x depth	154 mm x 124 mm x 114 mm (6.06" x 4.88" x 4.49")
Housing material	ABS plastic
Housing color	Light gray (RAL 7035)
Dome material	Polycarbonate (PC)
Dome color	Clear, red
Cable entries	2 x M20 at the side, 2 x M20 at the bottom
Terminals	2.5 mm <sup>2</sup>
Impact resistance	IK08
Weight	440 g (0.97 lbs)

### ELECTRICAL DATA

Operating voltage range	18 V DC to 30 V DC
Current consumption	540 mA at 24 V DC
Power consumption	13 W
Flash energy	10 J
Flash rate	0.1 / 0.5 / 0.75 / 1 Hz (DIP switch)
Light intensity	118 cd (with clear dome color)

## DIMENSIONS



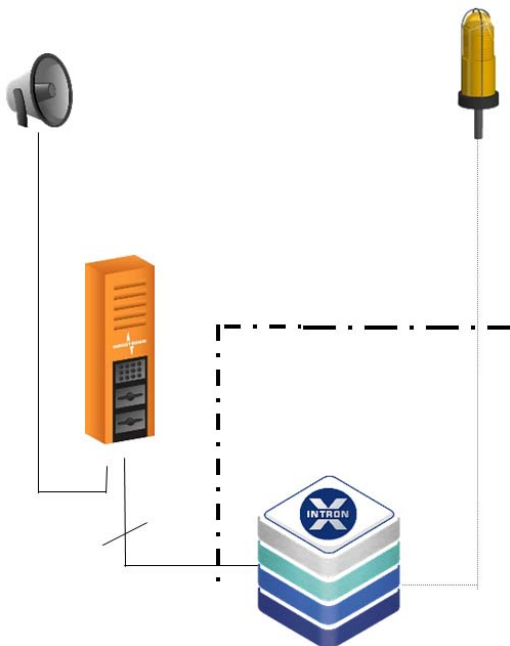
## ENVIRONMENTAL REQUIREMENTS AND STANDARDS

<b>Ambient temperature during operation</b>	-40 °C to +55°C (-40 °F to +131 °F)
<b>Relative humidity (non-condensing)</b>	Max. 90 %
<b>Degree of protection</b>	IP66
<b>Certification</b>	DIN EN 54-23

## ORDER DATA

Dome Color	Type Number
Clear	070-000-090/CL
Red	070-000-090/RD

## APPLICATION



### Call Signaling at Intercom Stations

The flashing warning beacon starts to flash, as soon as the intercom station receives a call. The signaling stops, as soon as the incoming call has been accepted or the pre-programmed time has elapsed.

### Alarm Signaling

The flashing warning beacon is activated for the duration of the alarm. It is connected to and controlled via the INDUSTRISTRONIC system.

© INDUSTRISTRONIC